

The i4000 is a 6U form factor M-module carrier for the VMEbus and forms the basis of a flexible I/O system. It offers the user a means of integrating a mix of M-modules in a VMEbus system. Four M-module mounting sockets are provided by this carrier.

The interrupt controller on the i4000 has an interrupt vector register for each M-module interface. If a module is able to generate its own vector, the i4000 simply passes the interrupt request to the VMEbus. Interrupts for each M-module can be masked separately. The level on which an interrupt is issued to the VMEbus, is selectable by setting a DIP-switch. This is valid for all four M-module interfaces.

The base address of the i4000 is configurable by DIP-switches, which maps it in the Standard (A24) or Short I/O (A16) space of the VMEbus. These DIP-switches are accessible for configuration even when all modules are mounted.

On the optional P2 of the i4000, all peripheral signals of the mounted M-modules are available.



i4000

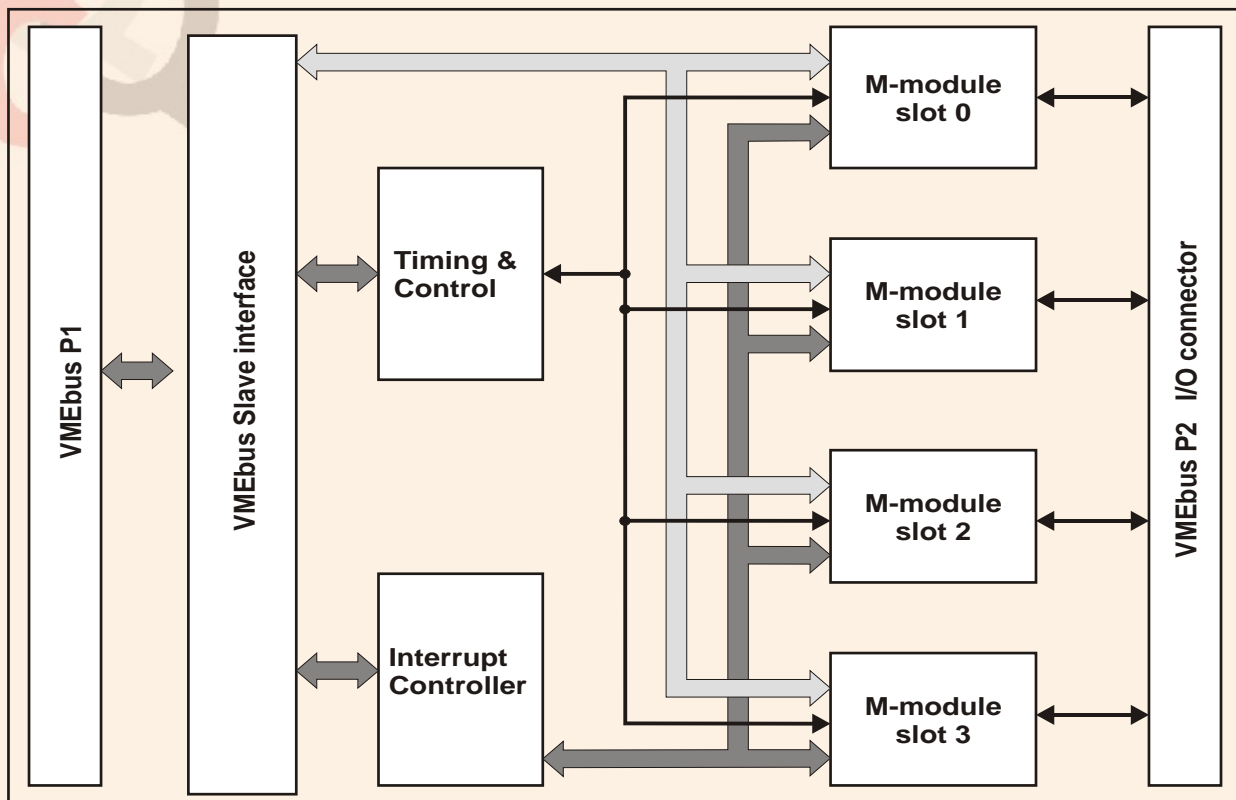
Quad M-module Carrier for VMEbus

- Features 4 M-module slots
- Occupies only one VMEbus slot
- Selectable short or standard VMEbus addressing (A16/A24) with byte (even/odd) or word data transfers (D08(E/O)/D16)
- Programmable interrupt controller with D08(O) interrupter characteristics
- Separate interrupt vector available for each (M-module) slot
- Peripheral I/O connections up front and optional via P2 connector



AcQquisition Technology B.V.





Block diagram



VMEbus Compliance

- A24/A16, D16/D08(EO)
- D08(O) (DYN) interrupt vector (vector unique per module)
- I(x) interrupt level
- P2 connector (if used) is NOT VMEbus compliant

M-module Compliance

- 4 M-module slots (2-row, 40-pole connectors to carrier)
- A08, D16/D08 address- and databus width
- INTA / INTB / INTC supported
- Interrupt enable/disable per M-module slot
- Programmable interrupt vector per slot

Connections

- P1 to VMEbus
- P2 to peripheral (uses row A, B and C). This connector is optional
- Four M-module interface connectors

Board Support

- APIS platform support for Windows 95/98, NT/2000, Linux and Solaris
- Other platforms on request

Ordering Information

- i4000/P2
i4000 with P2 connector
- i4000/NP2
i4000 without P2 connector
- i4000/BBIS
i4000 BBIS subroutine module for OS-9
- i4000/SW
APIS based software for i4000
- i4000/MAN
i4000 manual on paper
- i4000/DSUB
i4000 D-sub front

Acquisition Technology B.V.

P.O. Box 627
5340 AP OSS
The Netherlands



Tel. +31-412-651055
Fax: +31-412-651050
Email: info@acq.nl
URL: <http://www.acq.nl>